

# PARTS LIST

[ RX-E100SL ]

\* All printed circuit boards and its assemblies are not available as service parts.

## Area suffix

J ----- U.S.A.  
C ----- Canada

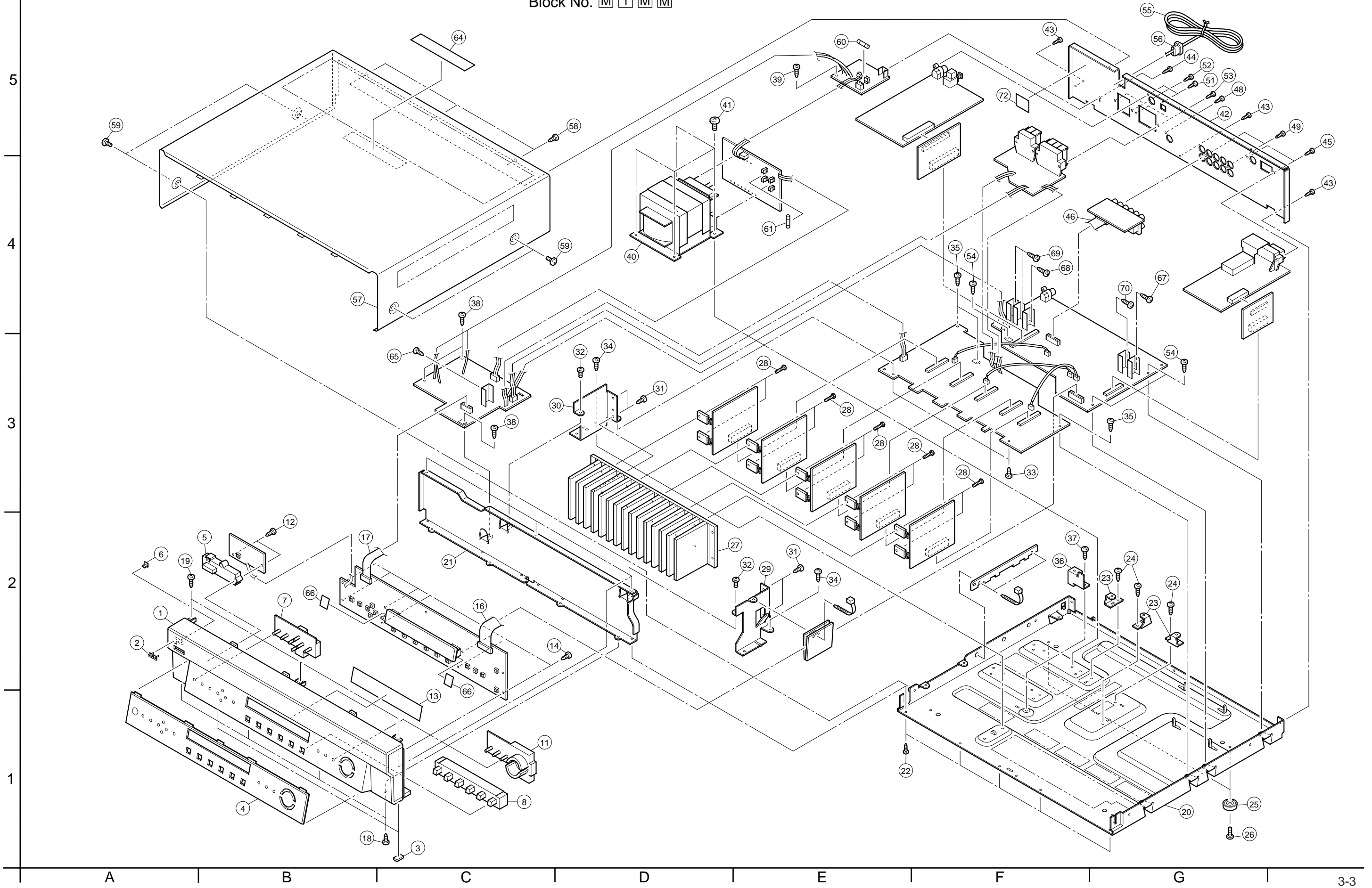
## - Contents -

Exploded view of general assembly and parts list .....	3- 3
Electrical parts list .....	3- 5
Packing materials and accessories parts list .....	3-16

< M E M O >

# Exploded view of general assembly and parts list

Block No. **M 1 M M**



■ Parts list (General assembly)

Block No. M1MM

△	Item	Parts number	Parts name	Q'ty	Description	Area
	1	LV10482-002A	FRONT PANEL	1		
	2	VJD5429-002SS	JVC MARK	1		
	3	E75896-003	FELT SPACER	2	FOR FRONT FOOT	
	4	LV20958-001A	LENS	1		
	5	LV20991-002A	POWER BUTTON	1		
	6	LV42096-001A	INDICATOR	1		
	7	LV32517-001A	CONTROL BUTTON	1		
	8	LV20959-002A	SOURCE BUTTON	1		
	11	LV20992-001A	VOLUME BUTTON	1		
	12	QYSBSF2608Z	T.SCREW	2	F.C.B.POWER+F.PANEL	
	13	LV42195-001A	FL SCREEN	1	TO FRONT PANEL	
	14	QYSBSF2608Z	T.SCREW	7	F.C.B.FL+F.PANE	
	16	QUQ412-1738CJ	FFC WIRE	1		
	17	QUQ412-1213CJ	FFC WIRE	1		
	18	QYSBSG3006Z	T.SCREW	4	F.PANEL+C.BASE	
	19	QYSBSG3006Z	T.SCREW	3	F.PANEL+F.BKT	
	20	LV10019-003A	CHASSIS BASE	1		
	21	LV10483-001A	FRONT BRACKET	1		
	22	QYSBSG3006Z	T.SCREW	5	C.BASE+F.BKT	
	23	E68587-223SM	CB BKT	3		
	24	QYSBSG3006Z	T.SCREW	3	CB BKT+C.BASE	
	25	E47227-021	FOOT ASS'Y	2		
	26	QYSBSG3006Z	T.SCREW	2	FOOT ASS'Y+C.BASE	
	27	LV20960-001A	HEAT SINK	1		
	28	E73525-003SS	SCREW	10	TR	
	29	LV32433-001A	H.S BRACKET(R)	1		
	30	LV32434-001A	H.S BRACKET(L)	1		
	31	QYSBSG3008Z	T.SCREW	4	H.SINK BKT+H.SINK	
	32	QYSBSG3006Z	T.SCREW	2	H.SINK BKT+F.BKT	
	33	QYSBSG3006Z	T.SCREW	2	AMP M.C.B+H.SINK BKT	
	34	QYSBSG3006Z	T.SCREW	2	H.SINK BKT+C.BASE	
	35	QYSBSG3006Z	T.SCREW	3	A.M.C.B+C.B.&CB BKT	
	36	LV42098-001A	C.B BKT	1		
	37	QYSBSG3006Z	T.SCREW	1	C.B.BKT+C.BASE	
	38	QYSBSG3006Z	T.SCREW	3	T.C.B+C.BASE&F.BKT	
	39	QYSBSG3006Z	T.SCREW	1	P.CORD C.B+C.BASE	
△	40	QQT0327-001	POWER TRANSF	1	T201	
	41	QYSDSL4008Z	SPECIAL SCREW	4	P.TRANS	
	42	LV20961-008A	REAR PANEL	1		C
		LV20961-007A	REAR PANEL	1		J
	43	QYSBSGY3008M	SPECIAL SCREW	3	R.PANEL+C.BASE	
	44	QYSBSGY3008M	SPECIAL SCREW	1	R.PANEL+ud---	
	45	QYSBSGY3008M	SPECIAL SCREW	2	TUNER	
	46	QUQ412-1607CJ	FFC WIRE	1		
	48	QYSBSGY3008M	SPECIAL SCREW	1	SUB WOOFER	
	49	QYSBSGY3008M	SPECIAL SCREW	2	PIN JACK	
	51	QYSBSGY3008M	SPECIAL SCREW	2	DIGITAL	
	52	QYSBSGY3008M	SPECIAL SCREW	2	F.SPK TERM.+R.PANEL	

■ Parts list (General assembly)

Block No. M1MM

△	Item	Parts number	Parts name	Q'ty	Description	Area
	53	QYSBSGY3008M	SPECIAL SCREW	2	R.SPK TERM.+R.PANEL	
	54	QYSBSG3006Z	T.SCREW	3	INPUT M.C.B+C.BASE	
△	55	QMPD220-200-JD	POWER CORD	1		
△	56	QZW0033-001	STRAIN RELIEF	1		
	57	LV20962-001A/S/	TOP COVER	1		
	58	QYSBSGY3008M	SPECIAL SCREW	3		
	59	E406308-004	SPECIAL SCREW	4		
△	60	QMF51U1-5R0-J8	FUSE	1	F201	
△	61	QMF51U1-2R0-J8	FUSE	2	F202 F203	
	64	E409394-001	CAUTION LABEL	1		J
		E409396-002	CAUTION LABEL	1		C
	65	QYSBSG3008E	T.SCREW	1		
	66	LV30225-0C1A	FELT SPACER	2	FS400 FS401	
	67	QYSBSG3008E	T.SCREW	1		
	68	QYSBSG3008E	T.SCREW	1		
	69	QYSBSG3008E	T.SCREW	2		
	70	QYSBSG3008E	T.SCREW	1		
	72	LV42388-001A	FUSE CAUTION	1	STICK ON REAR INSIDE	

## ■ Electrical parts list (Power amp board)

Block No. 01

△	Item	Parts number	Parts name	Remarks	Area	△	Item	Parts number	Parts name	Remarks	Area
	C 201	QFLC2AJ-104Z	M CAPACITOR	.10MF 5% 100V			C 818	QETN1CM-107Z	E CAPACITOR	100MF 20% 16V	
	C 202	QFLC2AJ-104Z	M CAPACITOR	.10MF 5% 100V			C 819	QETN2AM-106Z	E CAPACITOR	10MF 20% 100V	
	C 203	QFLC2AJ-104Z	M CAPACITOR	.10MF 5% 100V			C 820	QETN2AM-106Z	E CAPACITOR	10MF 20% 100V	
	C 204	QETM1VM-228	E CAPACITOR	2200MF 20% 35V			C 821	QCS32HJ-470Z	C CAPACITOR	47PF 5% 500V	
	C 205	QETM1VM-108	E CAPACITOR	1000MF 20% 35V			C 822	QCS32HJ-470Z	C CAPACITOR	47PF 5% 500V	
	C 206	QFLC1HJ-473Z	M CAPACITOR	.047MF 5% 50V			C 823	QCS32HJ-470Z	C CAPACITOR	47PF 5% 500V	
	C 207	QFLC1HJ-473Z	M CAPACITOR	.047MF 5% 50V			C 824	QCS32HJ-470Z	C CAPACITOR	47PF 5% 500V	
	C 208	QFLC2AJ-472Z	M CAPACITOR	4700PF 5% 100V			C 825	QFLC1HJ-473Z	M CAPACITOR	.047MF 5% 50V	
△	C 209	QETN1EM-477Z	E CAPACITOR	470MF 20% 25V			C 826	QFLC1HJ-473Z	M CAPACITOR	.047MF 5% 50V	
	C 210	QCZ9104-472	C CAPACITOR	4700PF			C 827	QFLC1HJ-473Z	M CAPACITOR	.047MF 5% 50V	
	C 212	QETN1CM-477Z	E CAPACITOR	470MF 20% 16V			C 828	QFLC1HJ-473Z	M CAPACITOR	.047MF 5% 50V	
	C 213	QETN0JM-228Z	E CAPACITOR	2200MF 20% 6.3V			C 829	QETN1HM-476Z	E CAPACITOR	47MF 20% 50V	
	C 214	QETN1HM-227Z	E CAPACITOR	220MF 20% 50V			C 830	QETN1HM-476Z	E CAPACITOR	47MF 20% 50V	
	C 215	QETN1JM-107Z	E CAPACITOR	100MF 20% 63V			C 901	QETN1HM-225Z	E CAPACITOR	2.2MF 20% 50V	
	C 216	QETN1HM-226Z	E CAPACITOR	22MF 20% 50V			C 903	QCS31HJ-271Z	C CAPACITOR	270PF 5% 50V	
	C 217	QETN1HM-226Z	E CAPACITOR	22MF 20% 50V			C 905	QCS31HJ-101Z	C CAPACITOR	100PF 5% 50V	
	C 218	QETN1HM-105Z	E CAPACITOR	1.0MF 20% 50V			C 907	QCB31HK-152Z	C CAPACITOR	1500PF 10% 50V	
	C 221	QETN1EM-107Z	E CAPACITOR	100MF 20% 25V			C 909	QETN1CM-476Z	E CAPACITOR	47MF 20% 16V	
	C 301	QETN1HM-225Z	E CAPACITOR	2.2MF 20% 50V			C 911	QCS31HJ-220Z	C CAPACITOR	22PF 5% 50V	
	C 302	QETN1HM-225Z	E CAPACITOR	2.2MF 20% 50V			C 913	QFLC1HJ-103Z	M CAPACITOR	.010MF 5% 50V	
	C 303	QCS31HJ-271Z	C CAPACITOR	270PF 5% 50V			C 915	QCS32HJ-330Z	C CAPACITOR	33PF 5% 500V	
	C 304	QCS31HJ-271Z	C CAPACITOR	270PF 5% 50V			C 917	QETN1CM-107Z	E CAPACITOR	100MF 20% 16V	
	C 305	QCS31HJ-101Z	C CAPACITOR	100PF 5% 50V			C 919	QETN2AM-106Z	E CAPACITOR	10MF 20% 100V	
	C 306	QCS31HJ-101Z	C CAPACITOR	100PF 5% 50V			C 921	QCS32HJ-470Z	C CAPACITOR	47PF 5% 500V	
	C 307	QCB31HK-152Z	C CAPACITOR	1500PF 10% 50V			C 923	QCS32HJ-470Z	C CAPACITOR	47PF 5% 500V	
	C 308	QCB31HK-152Z	C CAPACITOR	1500PF 10% 50V			C 925	QFLC1HJ-473Z	M CAPACITOR	.047MF 5% 50V	
	C 309	QETN1CM-107Z	E CAPACITOR	100MF 20% 16V			C 927	QFLC1HJ-473Z	M CAPACITOR	.047MF 5% 50V	
	C 310	QETN1CM-107Z	E CAPACITOR	100MF 20% 16V			C 929	QETN1HM-476Z	E CAPACITOR	47MF 20% 50V	
	C 311	QCS31HJ-220Z	C CAPACITOR	22PF 5% 50V			CN201	QGD2501C1-05Z	SOCKET		
	C 312	QCS31HJ-220Z	C CAPACITOR	22PF 5% 50V			CN204	QGF1205C1-12	CONNECTOR		
	C 313	QFLC1HJ-103Z	M CAPACITOR	.010MF 5% 50V			CN207	WJK0037-001A	E-SI C WIRE C-B		
	C 314	QFLC1HJ-103Z	M CAPACITOR	.010MF 5% 50V			CN217	QGA7901C1-02	CONNECTOR		
	C 315	QCS32HJ-220Z	C CAPACITOR	22PF 5% 500V			CN701	QGB2510K1-09	CONNECTOR		
	C 316	QCS32HJ-220Z	C CAPACITOR	22PF 5% 500V			CN702	QGB2510K1-09	CONNECTOR		
	C 317	QETN1CM-107Z	E CAPACITOR	100MF 20% 16V			CN703	QGB2510K1-09	CONNECTOR		
	C 318	QETN1CM-107Z	E CAPACITOR	100MF 20% 16V			CN704	QGB2510K1-09	CONNECTOR		
	C 319	QETN1JM-107Z	E CAPACITOR	100MF 20% 63V			CN705	QGB2510K1-09	CONNECTOR		
	C 320	QETN1JM-107Z	E CAPACITOR	100MF 20% 63V			CN707	QGD2501C1-04Z	SOCKET		
	C 321	QCS32HJ-470Z	C CAPACITOR	47PF 5% 500V			△	D 201	10E2-FD	DIODE	
	C 322	QCS32HJ-470Z	C CAPACITOR	47PF 5% 500V			△	D 202	1SR35-400A-T5	DIODE	
	C 323	QCS32HJ-470Z	C CAPACITOR	47PF 5% 500V			△	D 203	10E2-FD	DIODE	
	C 324	QCS32HJ-470Z	C CAPACITOR	47PF 5% 500V			△	D 204	1SR35-400A-T5	DIODE	
	C 325	QFLC1HJ-473Z	M CAPACITOR	.047MF 5% 50V			△	D 206	1SR35-400A-T5	DIODE	
	C 326	QFLC1HJ-473Z	M CAPACITOR	.047MF 5% 50V			△	D 207	1SR35-400A-T5	DIODE	
	C 327	QFLC1HJ-473Z	M CAPACITOR	.047MF 5% 50V			△	D 208	1SR35-400A-T5	DIODE	
	C 328	QFLC1HJ-473Z	M CAPACITOR	.047MF 5% 50V			△	D 209	1SR35-400A-T5	DIODE	
	C 801	QETN1HM-225Z	E CAPACITOR	2.2MF 20% 50V			D 210	1SS133-T2	SI DIODE		
	C 802	QETN1HM-225Z	E CAPACITOR	2.2MF 20% 50V			D 211	MTZJ6.2C-T2	Z DIODE		
	C 803	QCS31HJ-271Z	C CAPACITOR	270PF 5% 50V			D 212	1SR35-400A-T5	DIODE		
	C 804	QCS31HJ-271Z	C CAPACITOR	270PF 5% 50V			△	D 213	1SR35-400A-T5	DIODE	
	C 805	QCS31HJ-101Z	C CAPACITOR	100PF 5% 50V			△	D 214	1SR35-400A-T5	DIODE	
	C 806	QCS31HJ-101Z	C CAPACITOR	100PF 5% 50V			△	D 215	1SR35-400A-T5	DIODE	
	C 807	QCB31HK-152Z	C CAPACITOR	1500PF 10% 50V			D 216	MTZJ27C-T2	Z DIODE		
	C 808	QCB31HK-152Z	C CAPACITOR	1500PF 10% 50V			D 217	MTZJ6.2C-T2	Z DIODE		
	C 809	QETN1CM-476Z	E CAPACITOR	47MF 20% 16V			D 219	1SR35-400A-T5	DIODE		
	C 810	QETN1CM-476Z	E CAPACITOR	47MF 20% 16V			D 220	1SR35-400A-T5	DIODE		
	C 811	QCS31HJ-220Z	C CAPACITOR	22PF 5% 50V			D 221	MTZJ6.2C-T2	Z DIODE		
	C 812	QCS31HJ-220Z	C CAPACITOR	22PF 5% 50V			D 301	1SS133-T2	SI DIODE		
	C 813	QFLC1HJ-103Z	M CAPACITOR	.010MF 5% 50V			D 302	1SS133-T2	SI DIODE		
	C 814	QFLC1HJ-103Z	M CAPACITOR	.010MF 5% 50V			D 303	SLR-342MC-T	LED		
	C 815	QCS32HJ-330Z	C CAPACITOR	33PF 5% 500V			D 304	SLR-342MC-T	LED		
	C 816	QCS32HJ-330Z	C CAPACITOR	33PF 5% 500V			D 305	1SS133-T2	SI DIODE		
	C 817	QETN1CM-107Z	E CAPACITOR	100MF 20% 16V			D 306	1SS133-T2	SI DIODE		

■ Electrical parts list (Power amp board)

Block No. 01

△	Item	Parts number	Parts name	Remarks	Area	△	Item	Parts number	Parts name	Remarks	Area
	D 307	1SS133-T2	SI DIODE				Q 802	2SC2240/L-T	TRANSISTOR		
	D 308	1SS133-T2	SI DIODE				Q 803	2SC2240/L-T	TRANSISTOR		
	D 309	1SS133-T2	SI DIODE				Q 804	2SC2240/L-T	TRANSISTOR		
	D 310	1SS133-T2	SI DIODE				Q 805	KTA1268/GL-T	TRANSISTOR		
	D 801	1SS133-T2	SI DIODE				Q 806	KTA1268/GL-T	TRANSISTOR		
	D 802	1SS133-T2	SI DIODE				Q 809	2SD637/QR/	TRANSISTOR		
	D 805	1SS133-T2	SI DIODE				Q 810	2SD637/QR/	TRANSISTOR		
	D 806	1SS133-T2	SI DIODE				Q 811	KTC3200/GL-T	TRANSISTOR		
	D 807	1SS133-T2	SI DIODE				Q 812	KTC3200/GL-T	TRANSISTOR		
	D 808	1SS133-T2	SI DIODE				Q 813	KTA1268/GL-T	TRANSISTOR		
	D 809	1SS133-T2	SI DIODE				Q 814	KTA1268/GL-T	TRANSISTOR		
	D 810	1SS133-T2	SI DIODE			△	Q 815	2SD2389/OPY/-F6	TRANSISTOR		
	D 901	1SS133-T2	SI DIODE			△	Q 816	2SD2389/OPY/-F6	TRANSISTOR		
	D 905	1SS133-T2	SI DIODE			△	Q 817	2SB1559/OPY/-F6	TRANSISTOR		
	D 907	1SS133-T2	SI DIODE			△	Q 818	2SB1559/OPY/-F6	TRANSISTOR		
	D 909	1SS133-T2	SI DIODE				Q 819	KTA1268/GL-T	TRANSISTOR		
	EP201	QNZ0136-001Z	EARTH PLATE				Q 820	KTA1268/GL-T	TRANSISTOR		
	EP202	E409182-001SM	GRAND TERMINAL				Q 901	2SC2240/L-T	TRANSISTOR		
	FC201	QNG0020-001Z	FUSE CLIP	(F201)			Q 903	2SC2240/L-T	TRANSISTOR		
	FC202	QNG0020-001Z	FUSE CLIP	(F201)			Q 905	KTA1268/GL-T	TRANSISTOR		
	FC203	QNG0020-001Z	FUSE CLIP	(F202)			Q 909	2SD637/QR/	TRANSISTOR		
	FC204	QNG0020-001Z	FUSE CLIP	(F202)			Q 911	KTC3200/GL-T	TRANSISTOR		
	FC205	QNG0020-001Z	FUSE CLIP	(F203)			Q 913	KTA1268/GL-T	TRANSISTOR		
	FC206	QNG0020-001Z	FUSE CLIP	(F203)		△	Q 915	2SD2389/OPY/-F6	TRANSISTOR		
	FW201	QUM135-22DGZ4	PARA RIBON WIRE			△	Q 917	2SB1559/OPY/-F6	TRANSISTOR		
	FW202	QJK017-031301	SIN CR C-B WIR				Q 919	KTA1268/GL-T	TRANSISTOR		
	FW205	QUM134-22DGZ4	PARA RIBON WIRE			△	R 201	QRJ146J-5R6X	UNF C RESISTOR	5.6 5% 1/4W	
	FW206	QUM133-08DGZ4	PARA RIBON WIRE			△	R 202	QRJ146J-100X	UNF C RESISTOR	10 5% 1/4W	
	HS211	E70306-001	HEAT SINK			△	R 203	QRJ146J-100X	UNF C RESISTOR	10 5% 1/4W	
	L 301	QQLZ005-R45	INDUCTOR			△	R 204	QRJ146J-821X	UNF C RESISTOR	820 5% 1/4W	
	L 302	QQLZ005-R45	INDUCTOR			△	R 205	QRZ9044-335	COMP RESISTOR	3.3M 1/0W	
	L 801	QQLZ005-R45	INDUCTOR			△	R 206	QRJ146J-332X	UNF C RESISTOR	3.3K 5% 1/4W	
	L 802	QQLZ005-R45	INDUCTOR				R 207	QRE141J-223Y	C RESISTOR	22K 5% 1/4W	
	L 901	QQLZ005-R45	INDUCTOR			△	R 208	QRJ146J-100X	UNF C RESISTOR	10 5% 1/4W	
	Q 202	KRC105M-T	D TRANSISTOR				R 209	QRE141J-104Y	C RESISTOR	100K 5% 1/4W	
	Q 203	KTC3203/OY/-T	TRANSISTOR			△	R 211	QRZ9005-120X	F RESISTOR	12 1/0W	
△	Q 204	KTA1046/Y/	TRANSISTOR			△	R 212	QRJ146J-682X	UNF C RESISTOR	6.8K 5% 1/4W	
	Q 205	KTC3200/GL/-T	TRANSISTOR				R 213	QRE141J-331Y	C RESISTOR	330 5% 1/4W	
	Q 207	KRC105M-T	D TRANSISTOR				R 301	QRE141J-222Y	C RESISTOR	2.2K 5% 1/4W	
	Q 208	KRC105M-T	D TRANSISTOR				R 302	QRE141J-222Y	C RESISTOR	2.2K 5% 1/4W	
	Q 209	KRC105M-T	D TRANSISTOR				R 303	QRE141J-563Y	C RESISTOR	56K 5% 1/4W	
△	Q 211	2SD2395/EF/	TRANSISTOR				R 304	QRE141J-563Y	C RESISTOR	56K 5% 1/4W	
	Q 301	2SC2240/L-T	TRANSISTOR				R 305	QRE141J-123Y	C RESISTOR	12K 5% 1/4W	
	Q 302	2SC2240/L-T	TRANSISTOR				R 306	QRE141J-123Y	C RESISTOR	12K 5% 1/4W	
	Q 303	2SC2240/L-T	TRANSISTOR				R 307	QRE141J-332Y	C RESISTOR	3.3K 5% 1/4W	
	Q 304	2SC2240/L-T	TRANSISTOR				R 308	QRE141J-332Y	C RESISTOR	3.3K 5% 1/4W	
	Q 305	KTA1268/GL/-T	TRANSISTOR				R 309	QRE141J-101Y	C RESISTOR	100 5% 1/4W	
	Q 306	KTA1268/GL/-T	TRANSISTOR				R 310	QRE141J-101Y	C RESISTOR	100 5% 1/4W	
	Q 307	KTC3200/GL/-T	TRANSISTOR			△	R 311	QRJ146J-391X	UNF C RESISTOR	390 5% 1/4W	
	Q 308	KTC3200/GL/-T	TRANSISTOR			△	R 312	QRJ146J-391X	UNF C RESISTOR	390 5% 1/4W	
	Q 309	2SD637/QR/	TRANSISTOR				R 313	QRE141J-563Y	C RESISTOR	56K 5% 1/4W	
	Q 310	2SD637/QR/	TRANSISTOR				R 314	QRE141J-563Y	C RESISTOR	56K 5% 1/4W	
	Q 311	KTC3200/GL/-T	TRANSISTOR			△	R 315	QRJ146J-331X	UNF C RESISTOR	330 5% 1/4W	
	Q 312	KTC3200/GL/-T	TRANSISTOR			△	R 316	QRJ146J-331X	UNF C RESISTOR	330 5% 1/4W	
	Q 313	KTA1268/GL/-T	TRANSISTOR				R 317	QRE141J-473Y	C RESISTOR	47K 5% 1/4W	
	Q 314	KTA1268/GL/-T	TRANSISTOR				R 318	QRE141J-473Y	C RESISTOR	47K 5% 1/4W	
△	Q 315	2SD2389/OPY/-F6	TRANSISTOR			△	R 319	QRJ146J-331X	UNF C RESISTOR	330 5% 1/4W	
△	Q 316	2SD2389/OPY/-F6	TRANSISTOR			△	R 320	QRJ146J-331X	UNF C RESISTOR	330 5% 1/4W	
△	Q 317	2SB1559/OPY/-F6	TRANSISTOR			△	R 321	QRJ146J-100X	UNF C RESISTOR	10 5% 1/4W	
△	Q 318	2SB1559/OPY/-F6	TRANSISTOR			△	R 322	QRJ146J-100X	UNF C RESISTOR	10 5% 1/4W	
	Q 319	KTA1268/GL/-T	TRANSISTOR			△	R 323	QRJ146J-100X	UNF C RESISTOR	10 5% 1/4W	
	Q 320	KTA1268/GL/-T	TRANSISTOR			△	R 324	QRJ146J-100X	UNF C RESISTOR	10 5% 1/4W	
	Q 801	2SC2240/L-T	TRANSISTOR				R 325	QRE141J-361Y	C RESISTOR	360 5% 1/4W	

## ■ Electrical parts list (Power amp board)

Block No. 01

△	Item	Parts number	Parts name	Remarks	Area	△	Item	Parts number	Parts name	Remarks	Area	
	R 326	QRE141J-361Y	C RESISTOR	360 5% 1/4W			R 839	QRE141J-181Y	C RESISTOR	180 5% 1/4W		
	R 327	QRE141J-471Y	C RESISTOR	470 5% 1/4W			R 840	QRE141J-181Y	C RESISTOR	180 5% 1/4W		
	R 328	QRE141J-471Y	C RESISTOR	470 5% 1/4W			R 841	QRE141J-181Y	C RESISTOR	180 5% 1/4W		
	R 329	QRE141J-471Y	C RESISTOR	470 5% 1/4W			R 842	QRE141J-181Y	C RESISTOR	180 5% 1/4W		
	R 330	QRE141J-471Y	C RESISTOR	470 5% 1/4W			R 843	QRZ0218-R22	EMIT RESISTOR	1/2W		
△	R 331	QRJ146J-100X	UNF C RESISTOR	10 5% 1/4W			R 844	QRZ0218-R22	EMIT RESISTOR	1/2W		
△	R 332	QRJ146J-100X	UNF C RESISTOR	10 5% 1/4W			R 845	QRE141J-102Y	C RESISTOR	1.0K 5% 1/4W		
△	R 333	QRJ146J-100X	UNF C RESISTOR	10 5% 1/4W			R 846	QRE141J-102Y	C RESISTOR	1.0K 5% 1/4W		
△	R 334	QRJ146J-100X	UNF C RESISTOR	10 5% 1/4W			R 847	QRE141J-183Y	C RESISTOR	18K 5% 1/4W		
	R 335	QRE141J-121Y	C RESISTOR	120 5% 1/4W			R 848	QRE141J-183Y	C RESISTOR	18K 5% 1/4W		
	R 336	QRE141J-121Y	C RESISTOR	120 5% 1/4W			R 849	QRE141J-123Y	C RESISTOR	12K 5% 1/4W		
	R 337	QRE141J-121Y	C RESISTOR	120 5% 1/4W			R 850	QRE141J-123Y	C RESISTOR	12K 5% 1/4W		
	R 338	QRE141J-121Y	C RESISTOR	120 5% 1/4W			△	R 851	QRJ125J-330	UNF C RESISTOR	33 5% 1/2W	
	R 339	QRE141J-181Y	C RESISTOR	180 5% 1/4W			△	R 852	QRJ125J-330	UNF C RESISTOR	33 5% 1/2W	
	R 340	QRE141J-181Y	C RESISTOR	180 5% 1/4W			△	R 853	QRL022J-100	UNF OMF RESISTOR	10 5% 1/2W	
	R 341	QRE141J-181Y	C RESISTOR	180 5% 1/4W			△	R 854	QRL022J-100	UNF OMF RESISTOR	10 5% 1/2W	
	R 342	QRE141J-181Y	C RESISTOR	180 5% 1/4W				R 855	QRE141J-332Y	C RESISTOR	3.3K 5% 1/4W	
	R 343	QRZ0218-R22	EMIT RESISTOR	1/2W				R 856	QRE141J-332Y	C RESISTOR	3.3K 5% 1/4W	
	R 344	QRZ0218-R22	EMIT RESISTOR	1/2W				R 857	QRE141J-332Y	C RESISTOR	3.3K 5% 1/4W	
	R 345	QRE141J-102Y	C RESISTOR	1.0K 5% 1/4W				R 858	QRE141J-332Y	C RESISTOR	3.3K 5% 1/4W	
	R 346	QRE141J-102Y	C RESISTOR	1.0K 5% 1/4W				R 859	QRE141J-332Y	C RESISTOR	3.3K 5% 1/4W	
	R 347	QRE141J-153Y	C RESISTOR	15K 5% 1/4W				R 860	QRE141J-332Y	C RESISTOR	3.3K 5% 1/4W	
	R 348	QRE141J-153Y	C RESISTOR	15K 5% 1/4W				R 861	QRE141J-332Y	C RESISTOR	3.3K 5% 1/4W	
	R 349	QRE141J-473Y	C RESISTOR	47K 5% 1/4W				R 862	QRE141J-332Y	C RESISTOR	3.3K 5% 1/4W	
	R 350	QRE141J-473Y	C RESISTOR	47K 5% 1/4W				R 901	QRE141J-222Y	C RESISTOR	2.2K 5% 1/4W	
△	R 351	QRJ125J-330	UNF C RESISTOR	33 5% 1/2W				R 903	QRE141J-563Y	C RESISTOR	56K 5% 1/4W	
△	R 352	QRJ125J-330	UNF C RESISTOR	33 5% 1/2W				R 905	QRE141J-183Y	C RESISTOR	18K 5% 1/4W	
△	R 353	QRL022J-100	UNF OMF RESISTOR	10 5% 1/2W				R 907	QRE141J-302Y	C RESISTOR	3.0K 5% 1/4W	
△	R 354	QRL022J-100	UNF OMF RESISTOR	10 5% 1/2W				R 909	QRE141J-101Y	C RESISTOR	100 5% 1/4W	
	R 801	QRE141J-222Y	C RESISTOR	2.2K 5% 1/4W			△	R 911	QRJ146J-391X	UNF C RESISTOR	390 5% 1/4W	
	R 802	QRE141J-222Y	C RESISTOR	2.2K 5% 1/4W			△	R 913	QRE141J-563Y	C RESISTOR	56K 5% 1/4W	
	R 803	QRE141J-563Y	C RESISTOR	56K 5% 1/4W			△	R 915	QRJ146J-221X	UNF C RESISTOR	220 5% 1/4W	
	R 804	QRE141J-563Y	C RESISTOR	56K 5% 1/4W			△	R 921	QRJ146J-100X	UNF C RESISTOR	10 5% 1/4W	
	R 805	QRE141J-183Y	C RESISTOR	18K 5% 1/4W			△	R 923	QRJ146J-100X	UNF C RESISTOR	10 5% 1/4W	
	R 806	QRE141J-183Y	C RESISTOR	18K 5% 1/4W				R 925	QRE141J-361Y	C RESISTOR	360 5% 1/4W	
	R 807	QRE141J-302Y	C RESISTOR	3.0K 5% 1/4W				R 927	QRE141J-751Y	C RESISTOR	750 5% 1/4W	
	R 808	QRE141J-302Y	C RESISTOR	3.0K 5% 1/4W				R 929	QRE141J-471Y	C RESISTOR	470 5% 1/4W	
	R 809	QRE141J-101Y	C RESISTOR	100 5% 1/4W			△	R 931	QRJ146J-100X	UNF C RESISTOR	10 5% 1/4W	
	R 810	QRE141J-101Y	C RESISTOR	100 5% 1/4W			△	R 933	QRJ146J-100X	UNF C RESISTOR	10 5% 1/4W	
△	R 811	QRJ146J-391X	UNF C RESISTOR	390 5% 1/4W				R 935	QRE141J-181Y	C RESISTOR	180 5% 1/4W	
△	R 812	QRJ146J-391X	UNF C RESISTOR	390 5% 1/4W				R 937	QRE141J-181Y	C RESISTOR	180 5% 1/4W	
	R 813	QRE141J-563Y	C RESISTOR	56K 5% 1/4W				R 939	QRE141J-181Y	C RESISTOR	180 5% 1/4W	
	R 814	QRE141J-563Y	C RESISTOR	56K 5% 1/4W				R 941	QRE141J-181Y	C RESISTOR	180 5% 1/4W	
△	R 815	QRJ146J-221X	UNF C RESISTOR	220 5% 1/4W				R 943	QRZ0218-R22	EMIT RESISTOR	1/2W	
△	R 816	QRJ146J-221X	UNF C RESISTOR	220 5% 1/4W				R 945	QRE141J-102Y	C RESISTOR	1.0K 5% 1/4W	
△	R 821	QRJ146J-100X	UNF C RESISTOR	10 5% 1/4W				R 947	QRE141J-183Y	C RESISTOR	18K 5% 1/4W	
△	R 822	QRJ146J-100X	UNF C RESISTOR	10 5% 1/4W				R 949	QRE141J-473Y	C RESISTOR	47K 5% 1/4W	
△	R 823	QRJ146J-100X	UNF C RESISTOR	10 5% 1/4W			△	R 951	QRJ125J-330	UNF C RESISTOR	33 5% 1/2W	
△	R 824	QRJ146J-100X	UNF C RESISTOR	10 5% 1/4W			△	R 953	QRL022J-100	UNF OMF RESISTOR	10 5% 1/2W	
	R 825	QRE141J-361Y	C RESISTOR	360 5% 1/4W				R 955	QRE141J-332Y	C RESISTOR	3.3K 5% 1/4W	
	R 826	QRE141J-361Y	C RESISTOR	360 5% 1/4W				R 957	QRE141J-332Y	C RESISTOR	3.3K 5% 1/4W	
	R 827	QRE141J-751Y	C RESISTOR	750 5% 1/4W				R 959	QRE141J-332Y	C RESISTOR	3.3K 5% 1/4W	
	R 828	QRE141J-751Y	C RESISTOR	750 5% 1/4W				R 961	QRE141J-332Y	C RESISTOR	3.3K 5% 1/4W	
	R 829	QRE141J-471Y	C RESISTOR	470 5% 1/4W			△	RY201	QSK0055-001	RELAY		
	R 830	QRE141J-471Y	C RESISTOR	470 5% 1/4W			△	T 202	QQT0317-001	POWER TRANSF		
△	R 831	QRJ146J-100X	UNF C RESISTOR	10 5% 1/4W				TA201	QNZ0079-001Z	TAB		
△	R 832	QRJ146J-100X	UNF C RESISTOR	10 5% 1/4W				TA202	QNZ0079-001Z	TAB		
△	R 833	QRJ146J-100X	UNF C RESISTOR	10 5% 1/4W			△	TH201	QAD0095-4R7Z	POSISTOR		
△	R 834	QRJ146J-100X	UNF C RESISTOR	10 5% 1/4W			△	TH301	QAD0012-202	THERMISTOR		
	R 835	QRE141J-181Y	C RESISTOR	180 5% 1/4W			△	TH302	QAD0012-202	THERMISTOR		
	R 836	QRE141J-181Y	C RESISTOR	180 5% 1/4W			△	TH801	QAD0012-202	THERMISTOR		
	R 837	QRE141J-181Y	C RESISTOR	180 5% 1/4W			△	TH802	QAD0012-202	THERMISTOR		
	R 838	QRE141J-181Y	C RESISTOR	180 5% 1/4W			△	TH901	QAD0012-202	THERMISTOR		
								VR301	QVP0008-102Z	SEMI V RESISTOR		
								VR302	QVP0008-102Z	SEMI V RESISTOR		

**■ Electrical parts list (Main & System control board) Block No. 02**

△	Item	Parts number	Parts name	Remarks	Area	△	Item	Parts number	Parts name	Remarks	Area
	BK401	LV32554-001A	FL HOLDER(L)				D 714	1SS133-T2	SI DIODE		
	BK402	LV32555-001A	FL HOLDER(R)				D 715	1SS133-T2	SI DIODE		
	C 401	QETN0JM-107Z	E CAPACITOR	100MF 20% 6.3V			D 741	1SS133-T2	SI DIODE		
	C 402	NCB31CK-223X	C CAPACITOR				D 742	1SS133-T2	SI DIODE		
	C 403	QETN1HM-225Z	E CAPACITOR	2.2MF 20% 50V			D 743	1SS133-T2	SI DIODE		
	C 404	QETN0JM-107Z	E CAPACITOR	100MF 20% 6.3V			DI401	QLF0086-001	FL TUBE		
	C 405	QCZ0205-155Z	ML C CAPACITOR	1.5MF			EP701	QNZ0136-001Z	EARTH PLATE		
	C 406	QETN1HM-475Z	E CAPACITOR	4.7MF 20% 50V			FW401	QUM133-20Z4Z4	PARA RIBON WIRE		
	C 407	QEKC1HM-475Z	E CAPACITOR	4.7MF 20% 50V			FW701	QUM134-27Z4Z4	PARA RIBON WIRE		
	C 408	QEKC1HM-475Z	E CAPACITOR	4.7MF 20% 50V			FW702	QUM136-24Z4Z4	PARA RIBON WIRE		
	C 412	NCB31HK-103X	C CAPACITOR				FW707	QUM134-22DGZ4	PARA RIBON WIRE		
	C 413	NCB31HK-103X	C CAPACITOR				IC401	MN101C35DHR	IC		
	C 414	NCB31HK-103X	C CAPACITOR				IC403	GP1U281X	IC		
	C 415	NCB31HK-103X	C CAPACITOR				IC404	IC-PST9139-T	IC		
	C 416	NCB31HK-103X	C CAPACITOR				J1581	QNN0058-001	PIN JACK		
	C 417	NCB31HK-561X	C CAPACITOR				J1582	QNN0056-001	PIN JACK		
	C 418	NCB31CK-223X	C CAPACITOR				Q 407	DTC114EKA-X	TRANSISTOR		
	C 419	QETN0JM-107Z	E CAPACITOR	100MF 20% 6.3V			Q 702	KTC3200/GL/-T	TRANSISTOR		
	C 701	QFZ9076-104Z	MM CAPACITOR	.10MF			Q 703	KTA1268/GL/-T	TRANSISTOR		
	C 702	QCE22HP-103	C CAPACITOR	.010MF +100:-0%			Q 704	KTC3199/GL/-T	TRANSISTOR		
	C 703	QCE22HP-103	C CAPACITOR	.010MF +100:-0%			Q 705	2SD2395/EF/	TRANSISTOR		
	C 704	QTE1J45-478	E CAPACITER				Q 706	KTA1023/OY/-T	TRANSISTOR		
	C 705	QTE1J45-478	E CAPACITER				Q 707	KTC3200/GL/-T	TRANSISTOR		
	C 706	QETN1EM-476Z	E CAPACITOR	47MF 20% 25V			Q 708	KRC109M-T	D TRANSISTOR		
	C 709	QETN1HM-106Z	E CAPACITOR	10MF 20% 50V			Q 709	KRC109M-T	D TRANSISTOR		
	C 710	QETN1CM-476Z	E CAPACITOR	47MF 20% 16V			Q 710	KRC109M-T	D TRANSISTOR		
	C 711	QEKC1HM-226Z	E CAPACITOR	22MF 20% 50V			Q 711	KRC109M-T	D TRANSISTOR		
	C 712	QETN1HM-475Z	E CAPACITOR	4.7MF 20% 50V			Q 712	KRC109M-T	D TRANSISTOR		
	C 713	QETN1HM-475Z	E CAPACITOR	4.7MF 20% 50V			Q 713	KRC109M-T	D TRANSISTOR		
	C 714	QETN1HM-475Z	E CAPACITOR	4.7MF 20% 50V			Q 714	KRC109M-T	D TRANSISTOR		
	C 715	QETN1HM-475Z	E CAPACITOR	4.7MF 20% 50V			Q 715	KRC109M-T	D TRANSISTOR		
	C 717	QCS31HJ-101Z	C CAPACITOR	100PF 5% 50V			R 400	NRSA63J-103X	MG RESISTOR		
	CL701	QZW0038-001	WIRE CLAMP				R 425	NRSA63J-103X	MG RESISTOR		
	CL702	QZW0038-001	WIRE CLAMP				R 426	NRSA63J-223X	MG RESISTOR		
	CN121	QGB2501J1-12	CONNECTOR				R 427	NRSA63J-472X	MG RESISTOR		
	CN202	QGA2501C1-03	3P CONNECTOR				R 429	NRSA63J-103X	MG RESISTOR		
	CN206	QGD2501C1-03Z	SOCKET				R 430	NRSA63J-102X	MG RESISTOR		
	CN214	QGF1205F1-12	CONNECTOR				R 431	NRSA63J-102X	MG RESISTOR		
	CN401	QGF1205F1-17	CONNECTOR				R 432	NRSA63J-122X	MG RESISTOR		
	CN513	QGB2510K1-12	CONNECTOR				R 433	NRSA63J-152X	MG RESISTOR		
	CN515	QGA2501C1-03	3P CONNECTOR				R 434	NRSA63J-222X	MG RESISTOR		
	CN516	QGA2501C1-02	2P CONNECTOR				R 435	NRSA63J-272X	MG RESISTOR		
	CN517	QGA2501C1-03	3P CONNECTOR				R 436	NRSA63J-103X	MG RESISTOR		
	CN522	QGF1205F1-16	CONNECTOR				R 437	NRSA63J-102X	MG RESISTOR		
	CN711	QGB2510J1-09	CONNECTOR				R 438	NRSA63J-102X	MG RESISTOR		
	CN712	QGB2510J1-09	CONNECTOR				R 439	NRSA63J-122X	MG RESISTOR		
	CN713	QGB2510J1-09	CONNECTOR				R 440	NRSA63J-152X	MG RESISTOR		
	CN714	QGB2510J1-09	CONNECTOR				R 441	NRSA63J-222X	MG RESISTOR		
	CN715	QGB2510J1-09	CONNECTOR				R 442	NRSA63J-272X	MG RESISTOR		
	D 407	SLR-342VC-T	LED				R 443	NRSA63J-392X	MG RESISTOR		
	D 408	1SS355-X	DIODE				R 444	NRSA63J-103X	MG RESISTOR		
△	D 701	30DF2-FC	DIODE				R 445	NRSA63J-102X	MG RESISTOR		
△	D 702	30DF2-FC	DIODE				R 446	NRSA63J-102X	MG RESISTOR		
△	D 703	30DF2-FC	DIODE				R 447	NRSA63J-122X	MG RESISTOR		
△	D 704	30DF2-FC	DIODE				R 448	NRSA63J-152X	MG RESISTOR		
	D 705	MTZJ18C-T2	Z DIODE				R 449	NRSA63J-222X	MG RESISTOR		
	D 707	1SS133-T2	SI DIODE				R 450	NRSA63J-272X	MG RESISTOR		
	D 708	1SS133-T2	SI DIODE				R 451	NRSA63J-392X	MG RESISTOR		
	D 709	MTZJ12C-T2	Z DIODE				R 452	NRSA63J-103X	MG RESISTOR		
	D 710	MTZJ5.1C-T2	Z DIODE				R 455	NRSA63J-103X	MG RESISTOR		
	D 711	1SS133-T2	SI DIODE				R 456	NRSA63J-103X	MG RESISTOR		
	D 712	1SS133-T2	SI DIODE				R 457	NRSA63J-102X	MG RESISTOR		
	D 713	1SS133-T2	SI DIODE				R 465	NRSA63J-221X	MG RESISTOR		



**■ Electrical parts list (Main & System control board) Block No. 02**

△	Item	Parts number	Parts name	Remarks	Area
	R 466	NRSA63J-221X	MG RESISTOR		
	R 467	NRSA63J-221X	MG RESISTOR		
	R 468	NRSA63J-221X	MG RESISTOR		
	R 469	NRSA63J-221X	MG RESISTOR		
	R 470	NRSA63J-221X	MG RESISTOR		
	R 471	NRSA63J-221X	MG RESISTOR		
	R 472	NRSA63J-221X	MG RESISTOR		
	R 473	NRSA63J-221X	MG RESISTOR		
	R 474	NRSA63J-221X	MG RESISTOR		
	R 475	NRSA63J-221X	MG RESISTOR		
	R 476	NRSA63J-221X	MG RESISTOR		
	R 477	NRSA63J-221X	MG RESISTOR		
	R 478	NRSA63J-221X	MG RESISTOR		
	R 479	NRSA63J-221X	MG RESISTOR		
	R 480	NRSA63J-221X	MG RESISTOR		
	R 488	NRSA63J-103X	MG RESISTOR		
	R 489	NRSA63J-103X	MG RESISTOR		
	R 490	NRSA63J-103X	MG RESISTOR		
	R 491	NRSA63J-221X	MG RESISTOR		
	R 492	NRSA63J-392X	MG RESISTOR		
	R 493	NRSA63J-103X	MG RESISTOR		
	R 494	NRSA63J-103X	MG RESISTOR		
	R 495	NRSA63J-103X	MG RESISTOR		
	R 496	NRSA63J-103X	MG RESISTOR		
	R 497	NRSA63J-103X	MG RESISTOR		
	R 498	NRSA63J-103X	MG RESISTOR		
	R 499	NRSA63J-103X	MG RESISTOR		
△	R 701	QRL022J-562	UNF OMF RESISTOR	5.6K 5% 1/2W	
	R 704	NRSA63J-104X	MG RESISTOR		
	R 705	NRSA63J-104X	MG RESISTOR		
	R 706	NRSA63J-823X	MG RESISTOR		
	R 707	NRSA63J-104X	MG RESISTOR		
	R 708	NRSA63J-823X	MG RESISTOR		
	R 709	NRSA63J-103X	MG RESISTOR		
	R 710	NRSA63J-103X	MG RESISTOR		
	R 711	NRSA63J-104X	MG RESISTOR		
	R 712	NRSA63J-223X	MG RESISTOR		
△	R 713	QRZ9005-100X	F RESISTOR	10 1/0W	
△	R 714	QRJ146J-103X	UNF C RESISTOR	10K 5% 1/4W	
△	R 715	QRZ9005-100X	F RESISTOR	10 1/0W	
△	R 716	QRJ146J-102X	UNF C RESISTOR	1.0K 5% 1/4W	
△	R 717	QRJ146J-223X	UNF C RESISTOR	22K 5% 1/4W	
	R 718	NRSA63J-103X	MG RESISTOR		
	R 719	NRSA63J-473X	MG RESISTOR		
△	R 720	QRJ146J-392X	UNF C RESISTOR	3.9K 5% 1/4W	
	R 721	NRSA63J-472X	MG RESISTOR		
	R 722	NRSA63J-123X	MG RESISTOR		
	R 723	NRSA63J-822X	MG RESISTOR		
	R 724	NRSA63J-472X	MG RESISTOR		
	R 725	NRSA63J-472X	MG RESISTOR		
	R 726	NRSA63J-472X	MG RESISTOR		
	R 727	NRSA63J-472X	MG RESISTOR		
	R 728	NRSA63J-472X	MG RESISTOR		
	R 729	NRSA63J-123X	MG RESISTOR		
	R 730	NRSA63J-822X	MG RESISTOR		
	R 731	NRSA63J-123X	MG RESISTOR		
	R 732	NRSA63J-822X	MG RESISTOR		
△	R 741	QRJ146J-120X	UNF C RESISTOR	12 5% 1/4W	
△	R 742	QRJ146J-120X	UNF C RESISTOR	12 5% 1/4W	
△	R 743	QRJ146J-120X	UNF C RESISTOR	12 5% 1/4W	
△	RY741	QSK0109-001	RELAY		
△	RY742	QSK0109-001	RELAY		
△	RY743	QSK0109-001	RELAY		

△	Item	Parts number	Parts name	Remarks	Area
	R1422	NRSA63J-104X	MG RESISTOR		
	R1423	NRSA63J-104X	MG RESISTOR		
	R1424	NRSA63J-104X	MG RESISTOR		
	R1425	NRSA63J-104X	MG RESISTOR		
	R1426	NRSA63J-104X	MG RESISTOR		
	R1427	NRSA63J-104X	MG RESISTOR		
	R1428	NRSA63J-104X	MG RESISTOR		
	R1581	NRSA63J-471X	MG RESISTOR		
	R1582	NRSA63J-471X	MG RESISTOR		
	R1583	NRSA63J-471X	MG RESISTOR		
	R1584	NRSA63J-471X	MG RESISTOR		
	R1585	NRSA63J-471X	MG RESISTOR		
	R1586	NRSA63J-471X	MG RESISTOR		
	R1587	NRSA63J-471X	MG RESISTOR		
	R1588	NRSA63J-471X	MG RESISTOR		
	R1589	NRSA63J-471X	MG RESISTOR		
	R1590	NRSA63J-471X	MG RESISTOR		
	R1591	NRSA63J-104X	MG RESISTOR		
	R1592	NRSA63J-104X	MG RESISTOR		
	R1593	NRSA63J-104X	MG RESISTOR		
	R1594	NRSA63J-104X	MG RESISTOR		
	R1595	NRSA63J-104X	MG RESISTOR		
	R1596	NRSA63J-104X	MG RESISTOR		
	R1597	NRSA63J-104X	MG RESISTOR		
	R1598	NRSA63J-104X	MG RESISTOR		
	S 401	QSW0683-001Z	PUSH SWITCH	SURROUND	
	S 402	QSW0683-001Z	PUSH SWITCH	DSP MODE	
	S 403	QSW0683-001Z	PUSH SWITCH	INPUT MODE	
	S 404	QSW0683-001Z	PUSH SWITCH	DVD	
	S 405	QSW0683-001Z	PUSH SWITCH	TV	
	S 406	QSW0683-001Z	PUSH SWITCH	UP	
	S 407	QSW0683-001Z	PUSH SWITCH	LEFT	
	S 408	QSW0683-001Z	PUSH SWITCH	VOL.DOWN	
	S 409	QSW0683-001Z	PUSH SWITCH	ADJUST	
	S 410	QSW0683-001Z	PUSH SWITCH	SETTING	
	S 411	QSW0683-001Z	PUSH SWITCH	VCR	
	S 412	QSW0683-001Z	PUSH SWITCH	CD	
	S 413	QSW0683-001Z	PUSH SWITCH	DOWN	
	S 414	QSW0683-001Z	PUSH SWITCH	RIGHT	
	S 415	QSW0683-001Z	PUSH SWITCH	VOL.UP	
	S 416	QSW0683-001Z	PUSH SWITCH	MEMORY	
	S 417	QSW0683-001Z	PUSH SWITCH	FM	
	S 418	QSW0683-001Z	PUSH SWITCH	AM	
	S 421	QSW0683-001Z	PUSH SWITCH	POWER	
	ST741	QNB0065-002	SPK TERMINAL	FRONT	
	ST742	QNB0070-002	SPK TERMINAL	CNT/SR	
	X 401	QAX0246-001Z	RESONATOR		

## ■ Electrical parts list (Audio signal input board)

Block No. 03

△	Item	Parts number	Parts name	Remarks	Area	△	Item	Parts number	Parts name	Remarks	Area
	C 519	QETN1HM-475Z	E CAPACITOR	4.7MF 20% 50V			D 506	MTZJ13C-T2	Z DIODE		
	C 520	QETN1HM-475Z	E CAPACITOR	4.7MF 20% 50V			D 507	MTZJ5.6C-T2	Z DIODE		
	C 521	QETN1HM-106Z	E CAPACITOR	10MF 20% 50V			D 508	MTZJ5.6C-T2	Z DIODE		
	C 522	QETN1HM-106Z	E CAPACITOR	10MF 20% 50V			D 509	1SS355-X	DIODE		
	C 523	QFLC1HJ-683Z	M CAPACITOR	.068MF 5% 50V			D 519	MTZJ10C-T2	Z DIODE		
	C 524	QFLC1HJ-683Z	M CAPACITOR	.068MF 5% 50V			EP502	QNZ0136-001Z	EARTH PLATE		
	C 525	QFLC1HJ-682Z	M CAPACITOR	6800PF 5% 50V			FL501	QQR0590-001	FILTER		
	C 526	QFLC1HJ-682Z	M CAPACITOR	6800PF 5% 50V			FL502	QQR0590-001	FILTER		
	C 527	QFLC1HJ-682Z	M CAPACITOR	6800PF 5% 50V			HS512	E70306-001	HEAT SINK		
	C 528	QFLC1HJ-682Z	M CAPACITOR	6800PF 5% 50V			HS513	E70306-001	HEAT SINK		
	C 529	QETN1HM-475Z	E CAPACITOR	4.7MF 20% 50V			HS514	E70306-001	HEAT SINK		
	C 530	QETN1HM-475Z	E CAPACITOR	4.7MF 20% 50V			HS515	E70306-001	HEAT SINK		
	C 531	QFLC1HJ-104Z	M CAPACITOR	.10MF 5% 50V			HS520	E70306-001	HEAT SINK		
	C 532	QFLC1HJ-104Z	M CAPACITOR	.10MF 5% 50V			IC501	M61501FP	IC		
	C 533	QFLC1HJ-104Z	M CAPACITOR	.10MF 5% 50V			IC503	BA15218F-XE	IC		
	C 534	QFLC1HJ-104Z	M CAPACITOR	.10MF 5% 50V			J 504	QNN0060-001	PIN JACK	SUBWOOFER OUT	
	C 535	NCB31CK-223X	C CAPACITOR				Q 501	2SC3576-JVC-T	TRANSISTOR		
	C 536	NCB31CK-223X	C CAPACITOR				Q 502	2SC3576-JVC-T	TRANSISTOR		
	C 537	NCB31CK-223X	C CAPACITOR				Q 503	2SC3576-JVC-T	TRANSISTOR		
	C 541	QETN1HM-475Z	E CAPACITOR	4.7MF 20% 50V			Q 505	2SC3576-JVC-T	TRANSISTOR		
	C 542	QETN1HM-475Z	E CAPACITOR	4.7MF 20% 50V			Q 506	2SC3576-JVC-T	TRANSISTOR		
	C 544	QETN1HM-475Z	E CAPACITOR	4.7MF 20% 50V			Q 507	2SC3576-JVC-T	TRANSISTOR		
	C 545	QETN1HM-475Z	E CAPACITOR	4.7MF 20% 50V			Q 508	2SC3576-JVC-T	TRANSISTOR		
	C 546	QETN1HM-475Z	E CAPACITOR	4.7MF 20% 50V			Q 509	DTA114YKA-X	TRANSISTOR		
	C 549	QETN1HM-475Z	E CAPACITOR	4.7MF 20% 50V		△	Q 510	KTA1271/OY/-T	TRANSISTOR		
	C 550	QETN1HM-475Z	E CAPACITOR	4.7MF 20% 50V		△	Q 511	KTC3203/OY/-T	TRANSISTOR		
	C 551	QFLC1HJ-562Z	M CAPACITOR	5600PF 5% 50V		△	Q 512	KTA1046/Y/	TRANSISTOR		
	C 552	QFLC1HJ-562Z	M CAPACITOR	5600PF 5% 50V		△	Q 513	2SD2395/EF/	TRANSISTOR		
	C 553	QETN0JM-477Z	E CAPACITOR	470MF 20% 6.3V		△	Q 514	2SD2395/EF/	TRANSISTOR		
	C 554	QETN1HM-225Z	E CAPACITOR	2.2MF 20% 50V		△	Q 515	2SD2395/EF/	TRANSISTOR		
	C 555	NCB31CK-223X	C CAPACITOR				Q 516	DTA114YKA-X	TRANSISTOR		
	C 556	NCB31CK-223X	C CAPACITOR			△	Q 518	KTC3203/OY/-T	TRANSISTOR		
	C 557	QETN1EM-476Z	E CAPACITOR	47MF 20% 25V		△	Q 520	2SD2395/EF/	TRANSISTOR		
	C 558	QETN1EM-476Z	E CAPACITOR	47MF 20% 25V			R 529	NRSA63J-102X	MG RESISTOR		
	C 559	QETN1EM-476Z	E CAPACITOR	47MF 20% 25V			R 530	NRSA63J-102X	MG RESISTOR		
	C 560	QETN1EM-107Z	E CAPACITOR	100MF 20% 25V			R 531	NRSA63J-103X	MG RESISTOR		
	C 561	QETN1EM-107Z	E CAPACITOR	100MF 20% 25V			R 532	NRSA63J-103X	MG RESISTOR		
	C 562	QETN1EM-107Z	E CAPACITOR	100MF 20% 25V			R 533	NRSA63J-472X	MG RESISTOR		
	C 563	QCZ0205-155Z	ML C CAPACITOR	1.5MF			R 534	NRSA63J-472X	MG RESISTOR		
	C 564	QCF31HZ-223Z	C CAPACITOR	.022MF +80:-20%			R 535	NRSA63J-103X	MG RESISTOR		
	C 565	QETN1EM-107Z	E CAPACITOR	100MF 20% 25V			R 536	NRSA63J-103X	MG RESISTOR		
	C 581	QETN1HM-225Z	E CAPACITOR	2.2MF 20% 50V			R 537	NRSA63J-103X	MG RESISTOR		
	C 601	QETN1HM-106Z	E CAPACITOR	10MF 20% 50V			R 538	NRSA63J-103X	MG RESISTOR		
	C 602	QETN1HM-106Z	E CAPACITOR	10MF 20% 50V		△	R 541	QRJ146J-2R2X	UNF C RESISTOR	2.2 5% 1/4W	
	C 603	QETN1HM-475Z	E CAPACITOR	4.7MF 20% 50V		△	R 542	QRJ146J-2R2X	UNF C RESISTOR	2.2 5% 1/4W	
	C 604	QETN1HM-475Z	E CAPACITOR	4.7MF 20% 50V			R 545	NRSA63J-104X	MG RESISTOR		
	C 605	QETN1HM-475Z	E CAPACITOR	4.7MF 20% 50V			R 546	NRSA63J-104X	MG RESISTOR		
	C 606	QETN1HM-475Z	E CAPACITOR	4.7MF 20% 50V			R 547	NRSA63J-102X	MG RESISTOR		
	CL501	QZW0038-001	WIRE CLAMP				R 548	NRSA63J-102X	MG RESISTOR		
	CL502	QZW0038-001	WIRE CLAMP				R 549	NRSA63J-103X	MG RESISTOR		
	CN205	QGD2501C1-04Z	SOCKET				R 550	NRSA63J-103X	MG RESISTOR		
	CN411	QGF1205C1-17	CONNECTOR				R 552	NRSA63J-104X	MG RESISTOR		
	CN501	QGB2510J1-20	CONNECTOR				R 554	NRSA63J-273X	MG RESISTOR		
	CN502	QGF1205C1-16	CONNECTOR				R 556	NRSA63J-102X	MG RESISTOR		
	CN503	QGB2510J1-12	CONNECTOR				R 557	NRSA63J-104X	MG RESISTOR		
	CN505	QJP001-031401	SHI CR C-B WIRE				R 558	NRSA63J-104X	MG RESISTOR		
	CN506	QJP002-021401	SHI CR C-B WIRE				R 559	NRSA63J-102X	MG RESISTOR		
	CN507	QJP001-031101	SHI CR C-B WIRE				R 561	NRSA63J-103X	MG RESISTOR		
	CN511	QGB2510K1-20	B TO B CONNE				R 569	NRSA63J-104X	MG RESISTOR		
	CN601	QGB2510J1-20	CONNECTOR				R 570	NRSA63J-104X	MG RESISTOR		
	D 503	MTZJ7.5C-T2	Z DIODE				R 571	NRSA63J-102X	MG RESISTOR		
	D 504	MTZJ7.5C-T2	Z DIODE				R 572	NRSA63J-102X	MG RESISTOR		
	D 505	MTZJ13C-T2	Z DIODE				R 573	NRSA63J-103X	MG RESISTOR		

**■ Electrical parts list (Audio signal input board) Block No. 03**

△	Item	Parts number	Parts name	Remarks	Area
	R 574	NRSA63J-103X	MG RESISTOR		
	R 575	NRSA63J-472X	MG RESISTOR		
	R 576	NRSA63J-472X	MG RESISTOR		
△	R 577	QRJ146J-220X	UNF C RESISTOR	22 5% 1/4W	
	R 578	NRSA63J-102X	MG RESISTOR		
△	R 579	QRZ9005-680X	F RESISTOR	68 1/0W	
	R 580	QRZ9005-680X	F RESISTOR	68 1/0W	
△	R 581	QRZ9005-100X	F RESISTOR	10 1/0W	
△	R 582	QRJ146J-222X	UNF C RESISTOR	2.2K 5% 1/4W	
	R 583	QRZ9005-100X	F RESISTOR	10 1/0W	
△	R 584	QRJ146J-222X	UNF C RESISTOR	2.2K 5% 1/4W	
△	R 585	QRZ9005-100X	F RESISTOR	10 1/0W	
△	R 586	QRJ146J-182X	UNF C RESISTOR	1.8K 5% 1/4W	
△	R 587	QRZ9006-4R7X	F RESISTOR	4.7 1/0W	
△	R 588	QRJ146J-182X	UNF C RESISTOR	1.8K 5% 1/4W	
△	R 589	QRZ9005-120X	F RESISTOR	12 1/0W	
△	R 590	QRJ146J-682X	UNF C RESISTOR	6.8K 5% 1/4W	
△	R 591	QRZ9006-4R7X	F RESISTOR	4.7 1/0W	
△	R 592	QRZ9006-4R7X	F RESISTOR	4.7 1/0W	
△	R 593	QRJ146J-272X	UNF C RESISTOR	2.7K 5% 1/4W	
△	R 594	QRZ9006-4R7X	F RESISTOR	4.7 1/0W	
△	R 595	QRZ9005-100X	F RESISTOR	10 1/0W	
△	R 596	QRJ146J-102X	UNF C RESISTOR	1.0K 5% 1/4W	
	R1617	NRSA63J-104X	MG RESISTOR		
	R1618	NRSA63J-104X	MG RESISTOR		
	R1619	NRSA63J-104X	MG RESISTOR		
	R1620	NRSA63J-104X	MG RESISTOR		
	R1621	NRSA63J-102X	MG RESISTOR		

## ■ Electrical parts list (DSP board)

Block No. 04

△	Item	Parts number	Parts name	Remarks	Area	△	Item	Parts number	Parts name	Remarks	Area
	C 601	NCB31HK-221X	C CAPACITOR				C2513	NCB31HK-122X	C CAPACITOR		
	C 602	NCB31HK-221X	C CAPACITOR				C2514	NCB31HK-122X	C CAPACITOR		
	C 603	QETN0JM-107Z	E CAPACITOR	100MF 20% 6.3V			C2515	NCS31HJ-121X	C CAPACITOR		
	C 604	QETN0JM-107Z	E CAPACITOR	100MF 20% 6.3V			C2516	NCS31HJ-121X	C CAPACITOR		
	C 605	NCF31CZ-104X	C CAPACITOR				C2517	NCS31HJ-391X	C CAPACITOR		
	C 606	NCF31CZ-104X	C CAPACITOR				C2518	NCS31HJ-391X	C CAPACITOR		
	C 607	QETN1CM-107Z	E CAPACITOR	100MF 20% 16V			C2525	NCB31HK-102X	C CAPACITOR		
	C 608	NCF31CZ-104X	C CAPACITOR				C2526	NCB31HK-102X	C CAPACITOR		
	C 609	NCF31CZ-104X	C CAPACITOR				C2527	QETN1HM-106Z	E CAPACITOR	10MF 20% 50V	
	C 610	QETN0JM-107Z	E CAPACITOR	100MF 20% 6.3V			C2528	QETN1HM-106Z	E CAPACITOR	10MF 20% 50V	
	C 611	QETN0JM-107Z	E CAPACITOR	100MF 20% 6.3V			C2531	NCS31HJ-560X	C CAPACITOR		
	C 612	NCB31CK-103X	C CAPACITOR				C2532	NCS31HJ-560X	C CAPACITOR		
	C 621	QETN1HM-105Z	E CAPACITOR	1.0MF 20% 50V			C2533	QETN1HM-475Z	E CAPACITOR	4.7MF 20% 50V	
	C 622	NCS31HJ-101X	C CAPACITOR				C2534	QETN1HM-475Z	E CAPACITOR	4.7MF 20% 50V	
	C 623	NCF31AZ-105X	C CAPACITOR				C2539	NCF31CZ-104X	C CAPACITOR		
	C 624	NCF31CZ-104X	C CAPACITOR				C2540	NCF31CZ-104X	C CAPACITOR		
	C 626	NCF31AZ-105X	C CAPACITOR				C2551	NCS31HJ-560X	C CAPACITOR		
	C 627	NCF31AZ-105X	C CAPACITOR				C2552	NCS31HJ-560X	C CAPACITOR		
	C 628	NCB31CK-103X	C CAPACITOR				C2555	NCF31CZ-104X	C CAPACITOR		
	C 631	QETN0JM-107Z	E CAPACITOR	100MF 20% 6.3V			C2556	NCF31CZ-104X	C CAPACITOR		
	C 632	NCB31CK-103X	C CAPACITOR				C2561	QETN1HM-105Z	E CAPACITOR	1.0MF 20% 50V	
	C 633	NCF31CZ-104X	C CAPACITOR				C2562	QETN1HM-105Z	E CAPACITOR	1.0MF 20% 50V	
	C 634	NCF31CZ-104X	C CAPACITOR				C2563	NCS31HJ-220X	C CAPACITOR		
	C 635	NCF31CZ-104X	C CAPACITOR				C2564	NCS31HJ-220X	C CAPACITOR		
	C 636	NCB31CK-473X	C CAPACITOR				C2569	NCF31CZ-104X	C CAPACITOR		
	C 638	QETN0JM-107Z	E CAPACITOR	100MF 20% 6.3V			C2570	NCF31CZ-104X	C CAPACITOR		
	C 639	NCB31CK-103X	C CAPACITOR				C2575	NCB31HK-102X	C CAPACITOR		
	C 641	QETN0JM-107Z	E CAPACITOR	100MF 20% 6.3V			C2576	NCB31HK-102X	C CAPACITOR		
	C 642	NCB31CK-103X	C CAPACITOR				C2577	QETN1HM-106Z	E CAPACITOR	10MF 20% 50V	
	C 643	NCB31AK-474X	C CAPACITOR				C2578	QETN1HM-106Z	E CAPACITOR	10MF 20% 50V	
	C 644	NCB31CK-103X	C CAPACITOR				C2581	QETN1HM-105Z	E CAPACITOR	1.0MF 20% 50V	
	C 645	NCS31HJ-101X	C CAPACITOR				C2582	QETN1CM-106Z	E CAPACITOR	10MF 20% 16V	
	C 646	NCB31CK-103X	C CAPACITOR				C2583	NCS31HJ-220X	C CAPACITOR		
	C 647	NCS31HJ-220X	C CAPACITOR				C2584	NCS31HJ-560X	C CAPACITOR		
	C 648	NCS31HJ-180X	C CAPACITOR				C2585	NCF31CZ-104X	C CAPACITOR		
	C 649	NCS31HJ-121X	C CAPACITOR				C2586	NCF31CZ-104X	C CAPACITOR		
	C 653	NCB31CK-104X	C CAPACITOR				C2587	NCS31HJ-560X	C CAPACITOR		
	C 654	QETN0JM-107Z	E CAPACITOR	100MF 20% 6.3V			C2588	QETN1HM-475Z	E CAPACITOR	4.7MF 20% 50V	
	C 661	NCB31CK-103X	C CAPACITOR				C2589	NCF31CZ-104X	C CAPACITOR		
	C 671	NCB31CK-103X	C CAPACITOR				C2590	NCF31CZ-104X	C CAPACITOR		
	C 672	QETN0JM-107Z	E CAPACITOR	100MF 20% 6.3V			C2592	NCB31HK-223X	C CAPACITOR		
	C 673	NCB31CK-103X	C CAPACITOR				C2594	NCF31CZ-104X	C CAPACITOR		
	C 677	NCS31HJ-101X	C CAPACITOR				C2595	NCB31HK-102X	C CAPACITOR		
	C 679	NCS31HJ-101X	C CAPACITOR				C2597	QETN1HM-106Z	E CAPACITOR	10MF 20% 50V	
	C 681	NCB31CK-103X	C CAPACITOR				C2598	QETN1HM-475Z	E CAPACITOR	4.7MF 20% 50V	
	C 682	NCB31CK-103X	C CAPACITOR				D 607	1SS355-X	DIODE		
	C 683	NCB31CK-103X	C CAPACITOR				D 608	1SS355-X	DIODE		
	C 684	QETN0JM-107Z	E CAPACITOR	100MF 20% 6.3V			IC601	AK4527BVQ	IC		
	C 685	QETN1CM-476Z	E CAPACITOR	47MF 20% 16V			IC609	BA15218F-XE	IC		
	C 686	QETN1CM-476Z	E CAPACITOR	47MF 20% 16V			IC610	BA15218F-XE	IC		
	C 687	NCB31CK-103X	C CAPACITOR				IC611	BU4066BCF-X	IC		
	C 688	QETN0JM-107Z	E CAPACITOR	100MF 20% 6.3V			IC621	TC7SU04FU-X	IC		
	C 689	NCB31CK-103X	C CAPACITOR				IC622	TC7SU04FU-X	IC		
	C 690	QETN0JM-107Z	E CAPACITOR	100MF 20% 6.3V			IC631	TC9446F-014	IC		
	C 693	NCB31CK-103X	C CAPACITOR				IC641	W24L010AJ-12-X	IC		
	C 694	NCB31CK-104X	C CAPACITOR				IC650	BA15218F-XE	IC		
	CN681	QGB2510K1-20	B TO B CONNE				IC651	BA15218F-XE	IC		
	C2500	QETN1CM-226Z	E CAPACITOR	22MF 20% 16V			IC652	IMX9-W	TRANSISTOR		
	C2503	QETN1HM-475Z	E CAPACITOR	4.7MF 20% 50V			IC661	BA15218F-XE	IC		
	C2504	QETN1HM-475Z	E CAPACITOR	4.7MF 20% 50V			IC662	IMX9-W	TRANSISTOR		
	C2507	NCS31HJ-330X	C CAPACITOR				IC671	UPD784215AGC103	IC		
	C2508	NCS31HJ-330X	C CAPACITOR				IC672	TC7SET32FU-X	IC		
	C2512	NCF31CZ-104X	C CAPACITOR				IC681	PQ3DZ53-X	IC		

## ■ Electrical parts list (DSP board)

Block No. 04

△	Item	Parts number	Parts name	Remarks	Area	△	Item	Parts number	Parts name	Remarks	Area
	IC682	IMX9-W	TRANSISTOR				R 681	NRSA63J-103X	MG RESISTOR		
	IC683	RN5RZ33BA-X	IC				R 682	NRSA63J-103X	MG RESISTOR		
	IC690	BA15218F-XE	IC				R 683	NRSA63J-0R0X	MG RESISTOR		
	IC691	BA15218F-XE	IC				R 684	NRSA63J-0R0X	MG RESISTOR		
	J 601	QNN0347-001	PIN JACK				R 685	NRSA63J-103X	MG RESISTOR		
	K 601	NQR0269-004X	FERRITE BEADS				R 686	NRSA63J-151X	MG RESISTOR		
	Q 601	DTC114YE-X	TRANSISTOR				R 687	NRSA63J-0R0X	MG RESISTOR		
	Q 607	DTA144EKA-X	TRANSISTOR				R 688	NRSA63J-0R0X	MG RESISTOR		
	Q 670	DTC114YE-X	TRANSISTOR				R 689	NRSA63J-0R0X	MG RESISTOR		
	Q 671	2SD2114K/VW/-X	CHIP TRANSISTOR				R 691	NRSA63J-221X	MG RESISTOR		
	Q 672	DTC114YE-X	TRANSISTOR				R 692	NRSA63J-221X	MG RESISTOR		
	Q 673	DTA144EKA-X	TRANSISTOR				R 693	NRSA63J-221X	MG RESISTOR		
	Q2501	DTA144EKA-X	TRANSISTOR				R 694	NRSA63J-221X	MG RESISTOR		
	R 600	NRSA63J-0R0X	MG RESISTOR				R 695	NRSA63J-221X	MG RESISTOR		
	R 601	NRSA63J-473X	MG RESISTOR				R 696	NRSA63J-221X	MG RESISTOR		
	R 602	NRSA63J-473X	MG RESISTOR				R 697	NRSA63J-0R0X	MG RESISTOR		
	R 603	NRSA63J-473X	MG RESISTOR				R 698	NRSA63J-0R0X	MG RESISTOR		
	R 606	NRSA63J-221X	MG RESISTOR				R2500	NRSA63J-102X	MG RESISTOR		
	R 607	NRSA63J-221X	MG RESISTOR				R2501	NRSA63J-104X	MG RESISTOR		
	R 608	NRSA63J-221X	MG RESISTOR				R2502	NRSA63J-104X	MG RESISTOR		
	R 609	NRSA63J-221X	MG RESISTOR				R2507	NRSA63J-223X	MG RESISTOR		
	R 611	NRSA63J-221X	MG RESISTOR				R2508	NRSA63J-223X	MG RESISTOR		
	R 612	NRSA63J-221X	MG RESISTOR				R2509	NRSA63J-223X	MG RESISTOR		
	R 613	NRSA63J-822X	MG RESISTOR				R2510	NRSA63J-223X	MG RESISTOR		
	R 615	NRSA63J-432X	MG RESISTOR				R2511	NRSA63J-912X	MG RESISTOR		
	R 617	NRSA63J-103X	MG RESISTOR				R2512	NRSA63J-912X	MG RESISTOR		
	R 618	NRSA63J-103X	MG RESISTOR				R2513	NRSA63J-103X	MG RESISTOR		
	R 620	NRSA63J-221X	MG RESISTOR				R2514	NRSA63J-103X	MG RESISTOR		
	R 621	NRSA63J-221X	MG RESISTOR				R2515	NRSA63J-103X	MG RESISTOR		
	R 622	NRSA63J-750X	MG RESISTOR				R2516	NRSA63J-103X	MG RESISTOR		
	R 623	NRSA63J-101X	MG RESISTOR				R2517	NRSA63J-103X	MG RESISTOR		
	R 627	NRSA63J-472X	MG RESISTOR				R2518	NRSA63J-103X	MG RESISTOR		
	R 628	NRSA63J-183X	MG RESISTOR				R2519	NRSA63J-331X	MG RESISTOR		
	R 631	NRSA63J-0R0X	MG RESISTOR				R2520	NRSA63J-331X	MG RESISTOR		
	R 632	NRSA63J-0R0X	MG RESISTOR				R2521	NRSA63J-331X	MG RESISTOR		
	R 633	NRSA63J-221X	MG RESISTOR				R2522	NRSA63J-331X	MG RESISTOR		
	R 639	NRSA63J-472X	MG RESISTOR				R2525	NRSA63J-471X	MG RESISTOR		
	R 640	NRSA63J-0R0X	MG RESISTOR				R2526	NRSA63J-471X	MG RESISTOR		
	R 641	NRSA63F-102X	MG RESISTOR				R2527	NRSA63J-104X	MG RESISTOR		
	R 642	NRSA63J-103X	MG RESISTOR				R2528	NRSA63J-104X	MG RESISTOR		
	R 643	NRSA63J-101X	MG RESISTOR				R2529	NRSA63J-103X	MG RESISTOR		
	R 644	NRSA63J-153X	MG RESISTOR				R2530	NRSA63J-103X	MG RESISTOR		
	R 645	NRSA63F-102X	MG RESISTOR				R2531	NRSA63J-912X	MG RESISTOR		
	R 646	NRSA63J-103X	MG RESISTOR				R2532	NRSA63J-912X	MG RESISTOR		
	R 647	NRSA63J-225X	MG RESISTOR				R2533	NRSA63J-103X	MG RESISTOR		
	R 648	NRSA63J-472X	MG RESISTOR				R2534	NRSA63J-103X	MG RESISTOR		
	R 657	NRSA63J-103X	MG RESISTOR				R2535	NRSA63J-103X	MG RESISTOR		
	R 661	NRSA63J-221X	MG RESISTOR				R2536	NRSA63J-103X	MG RESISTOR		
	R 662	NRSA63J-221X	MG RESISTOR				R2537	NRSA63J-104X	MG RESISTOR		
	R 663	NRSA63J-221X	MG RESISTOR				R2538	NRSA63J-104X	MG RESISTOR		
	R 664	NRSA63J-221X	MG RESISTOR				R2550	NRSA63J-272X	MG RESISTOR		
	R 669	NRSA63J-103X	MG RESISTOR				R2551	NRSA63J-103X	MG RESISTOR		
	R 670	NRSA63J-103X	MG RESISTOR				R2552	NRSA63J-103X	MG RESISTOR		
	R 671	NRSA63J-103X	MG RESISTOR				R2553	NRSA63J-153X	MG RESISTOR		
	R 672	NRSA63J-105X	MG RESISTOR				R2554	NRSA63J-153X	MG RESISTOR		
	R 673	NRSA63J-432X	MG RESISTOR				R2555	NRSA63J-752X	MG RESISTOR		
	R 674	NRSA63J-432X	MG RESISTOR				R2556	NRSA63J-752X	MG RESISTOR		
	R 675	NRSA63J-432X	MG RESISTOR				R2557	NRSA63J-103X	MG RESISTOR		
	R 676	NRSA63J-432X	MG RESISTOR				R2558	NRSA63J-223X	MG RESISTOR		
	R 677	NRSA63J-822X	MG RESISTOR				R2560	NRSA63J-105X	MG RESISTOR		
	R 678	NRSA63J-822X	MG RESISTOR				R2561	NRSA63J-104X	MG RESISTOR		
	R 679	NRSA63J-822X	MG RESISTOR				R2562	NRSA63J-104X	MG RESISTOR		
	R 680	NRSA63J-822X	MG RESISTOR				R2563	NRSA63J-103X	MG RESISTOR		

## ■ Electrical parts list (DSP board)

Block No. 04

△	Item	Parts number	Parts name	Remarks	Area
	R2564	NRSA63J-103X	MG RESISTOR		
	R2565	NRSA63J-302X	MG RESISTOR		
	R2566	NRSA63J-302X	MG RESISTOR		
	R2567	NRSA63J-103X	MG RESISTOR		
	R2568	NRSA63J-103X	MG RESISTOR		
	R2575	NRSA63J-102X	MG RESISTOR		
	R2576	NRSA63J-102X	MG RESISTOR		
	R2577	NRSA63J-104X	MG RESISTOR		
	R2578	NRSA63J-104X	MG RESISTOR		
	R2581	NRSA63J-104X	MG RESISTOR		
	R2582	NRSA63J-104X	MG RESISTOR		
	R2583	NRSA63J-103X	MG RESISTOR		
	R2584	NRSA63J-223X	MG RESISTOR		
	R2585	NRSA63J-272X	MG RESISTOR		
	R2586	NRSA63J-332X	MG RESISTOR		
	R2587	NRSA63J-103X	MG RESISTOR		
	R2588	NRSA63J-103X	MG RESISTOR		
	R2589	NRSA63J-104X	MG RESISTOR		
	R2590	NRSA63J-333X	MG RESISTOR		
	R2592	NRSA63J-333X	MG RESISTOR		
	R2594	NRSA63J-333X	MG RESISTOR		
	R2595	NRSA63J-102X	MG RESISTOR		
	R2596	NRSA63J-102X	MG RESISTOR		
	R2597	NRSA63J-104X	MG RESISTOR		
	R2598	NRSA63J-104X	MG RESISTOR		
	UN661	GP1FA550RZ	OPT RECEIVER		
	X 631	NAX0385-001X	CRYSTAL		
	X 671	NAX0275-001X	1COSCILLATOR		

## ■ Electrical parts list (Tuner board)

Block No. 05

△	Item	Parts number	Parts name	Remarks	Area
	AT101	QNB0014-001	ANT TERMINAL		
	BK 1	LV31618-001A	SHIELD BKT		
	C 101	NCB21HK-103X	C CAPACITOR		
	C 103	NCB21HK-223X	C CAPACITOR		
	C 105	NCB21HK-223X	C CAPACITOR		
	C 107	QEKC1CM-226Z	E CAPACITOR	22MF 20% 16V	
	C 111	NCB21HK-473X	C CAPACITOR		
	C 112	NDC21HJ-120X	C CAPACITOR		
	C 121	NDC21HJ-120X	C CAPACITOR		
	C 122	NDC21HJ-120X	C CAPACITOR		
	C 123	NCB21HK-473X	C CAPACITOR		
	C 126	NCS21HJ-101X	C CAPACITOR		
	C 128	QENC1HM-474Z	NP E CAPACITOR	.47MF 20% 50V	
	C 129	NCB21HK-102X	C CAPACITOR		
	C 130	QEKC1AM-107Z	E CAPACITOR	100MF 20% 10V	
	C 133	QEKC1CM-226Z	E CAPACITOR	22MF 20% 16V	
	C 134	NCB21HK-222X	C CAPACITOR		
	C 135	NCB21HK-223X	C CAPACITOR		
	C 136	QEKC1HM-105Z	E CAPACITOR	1.0MF 20% 50V	
	C 137	NCB21HK-331X	C CAPACITOR		
	C 138	NCB21HK-473X	C CAPACITOR		
	C 139	NCB21HK-333X	C CAPACITOR		
	C 140	NCB21HK-333X	C CAPACITOR		
	C 141	NCB21HK-473X	C CAPACITOR		
	C 143	NCB21HK-223X	C CAPACITOR		
	C 144	NCB21HK-473X	C CAPACITOR		
	C 146	QEKC1HM-105Z	E CAPACITOR	1.0MF 20% 50V	
	C 147	QEKC1HM-105Z	E CAPACITOR	1.0MF 20% 50V	
	C 148	QEKC1HM-224Z	E CAPACITOR	.22MF 20% 50V	
	C 149	QEKC1HM-105Z	E CAPACITOR	1.0MF 20% 50V	
	C 150	QEKC1CM-226Z	E CAPACITOR	22MF 20% 16V	
	C 156	QDGB1HK-102Y	C CAPACITOR		
	C 157	NCB21HK-473X	C CAPACITOR		
	C 158	QEKC1CM-226Z	E CAPACITOR	22MF 20% 16V	
	C 161	QEKC1CM-106Z	E CAPACITOR	10MF 20% 16V	
	C 162	QEKC1CM-106Z	E CAPACITOR	10MF 20% 16V	
	C 163	NCB21HK-223X	C CAPACITOR		
	C 164	NCB21HK-473X	C CAPACITOR		
	C 168	QEKC1HM-105Z	E CAPACITOR	1.0MF 20% 50V	
	C 184	QEKC1CM-107Z	E CAPACITOR	100MF 20% 16V	
	C 185	QEKC1CM-106Z	E CAPACITOR	10MF 20% 16V	
	C 186	QEKC1CM-106Z	E CAPACITOR	10MF 20% 16V	
	CF101	QAX0419-001Z	C FILTER		
	CF102	QAX0604-001Z	C FILTER		
	CF103	QAX0519-001Z	C FILTER		
	CN111	QGB2501K2-12	CONECTOR		
	D 121	1SS133-T2	SI DIODE		
	D 123	1SS133-T2	SI DIODE		
	D 124	1SS133-T2	SI DIODE		
	D 125	1SS133-T2	SI DIODE		
	D 129	1SS133-T2	SI DIODE		
	IC102	LA1838	IC		
	IC121	LC72136N	IC		
	Q 102	2SC535/BC/-T	TRANSISTOR		
	Q 103	2SC461/BC/-T	TRANSISTOR		
	Q 121	KRA103M-T	TRANSISTOR	FM+B	
	R 103	NRSA02J-221X	MG RESISTOR		
	R 104	NRSA02J-272X	MG RESISTOR		
	R 105	NRSA02J-391X	MG RESISTOR		
	R 106	NRSA02J-102X	MG RESISTOR		
	R 107	NRSA02J-391X	MG RESISTOR		
	R 108	NRSA02J-332X	MG RESISTOR		
	R 109	NRSA02J-221X	MG RESISTOR		

△	Item	Parts number	Parts name	Remarks	Area
	R 115	NRSA02J-104X	MG RESISTOR		
	R 119	NRSA02J-103X	MG RESISTOR		
	R 122	NRSA02J-472X	MG RESISTOR		
	R 124	NRSA02J-222X	MG RESISTOR		
	R 126	NRSA02J-562X	MG RESISTOR		
	R 127	NRSA02J-822X	MG RESISTOR		
	R 128	NRSA02J-472X	MG RESISTOR		
	R 129	NRSA02J-222X	MG RESISTOR		
△	R 130	QRZ9005-680X	F RESISTOR	68 1/0W	
	R 132	NRSA02J-393X	MG RESISTOR		
	R 133	NRSA02J-392X	MG RESISTOR		
	R 134	NRSA02J-102X	MG RESISTOR		
	R 140	NRSA02J-183X	MG RESISTOR		
	R 141	NRSA02J-102X	MG RESISTOR		
	R 142	NRSA02J-470X	MG RESISTOR		
	R 143	NRSA02J-562X	MG RESISTOR		
	R 144	NRSA02J-332X	MG RESISTOR		
	R 145	NRSA02J-103X	MG RESISTOR		
	R 146	NRSA02J-392X	MG RESISTOR		
	R 147	NRSA02J-332X	MG RESISTOR		
	R 150	NRSA02J-331X	MG RESISTOR		
	R 157	NRSA02J-682X	MG RESISTOR		
	R 158	NRSA02J-682X	MG RESISTOR		
	R 161	NRSA02J-102X	MG RESISTOR		
	R 162	NRSA02J-102X	MG RESISTOR		
	R 182	NRSA02J-103X	MG RESISTOR		
	R 183	NRSA02J-103X	MG RESISTOR		
	R 184	NRSA02J-103X	MG RESISTOR		
	RF101	QAU0124-002	FRONT END		
	T 111	QQR0796-001	COIL BLOCK		
	T 142	QQR0973-001	IFT		
	X 121	QAX0402-001	CRYSTAL		

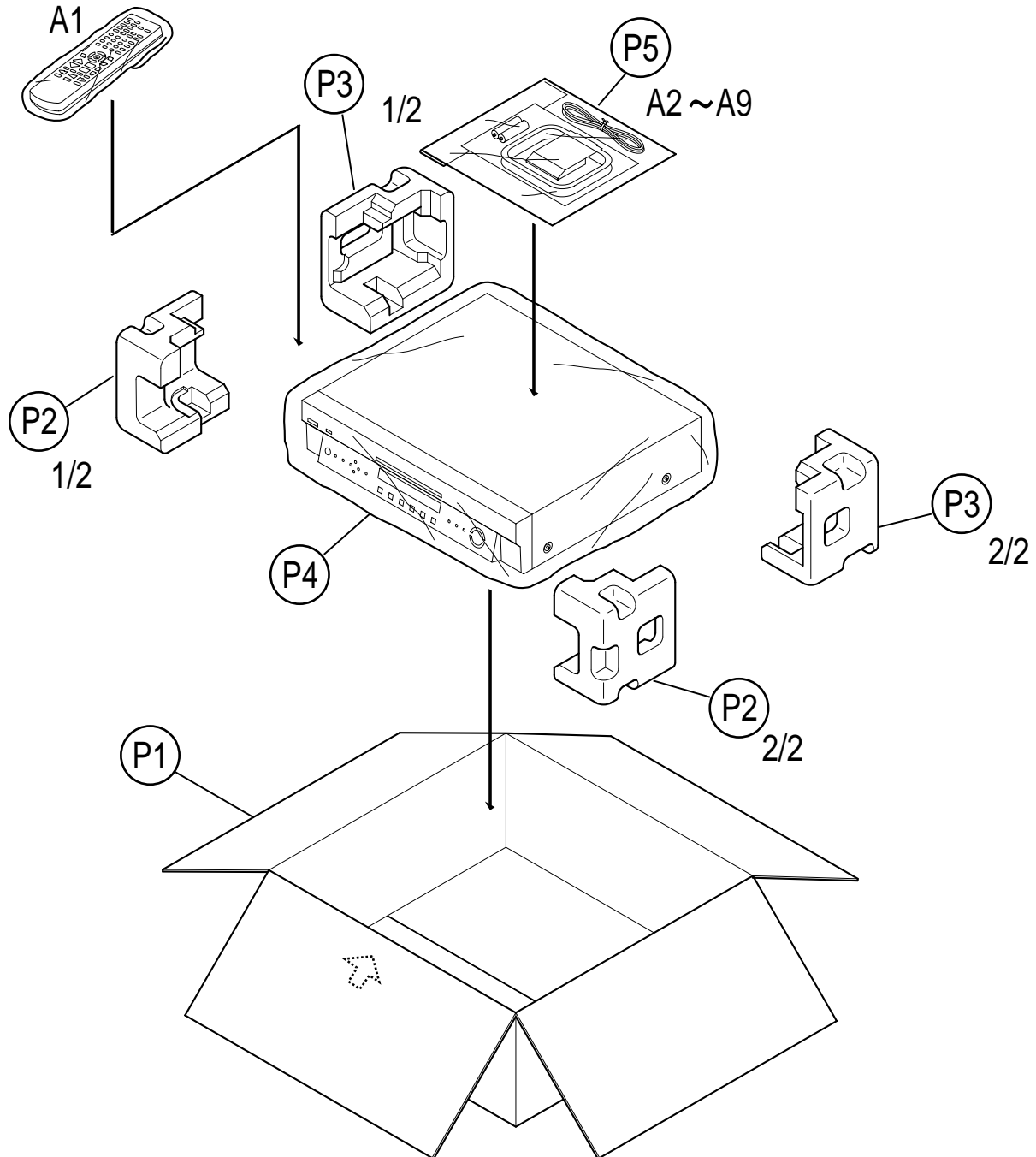
# Packing materials and accessories parts list

Block No. 

M	2	M	M
---	---	---	---

Block No. 


M	3	M	M
---	---	---	---






**Parts list (Packing)**

Block No. M2MM

	Item	Parts number	Parts name	Q'ty	Description	Area
	P 1	LV20978-003A	CARTON BOX	1		
	P 2	LV20963-001A	CUSHION(FRONT)	1		
	P 3	LV20964-001A	CUSHION(REAR)	1		
	P 4	QPC06507015P	POLY BAG	1	FOR SET	
	P 5	QPA02503505P	POLY BAG	1	FOR INST	

**Parts list (Accessories)**

Block No. M3MM

	Item	Parts number	Parts name	Q'ty	Description	Area
	A 1	RM-SRXE100J	REMOCON	1		
	A 2	-----	BATTERY	2		
	A 3	LVT0650-001A	INST BOOK	1	ENG	J
		LVT0650-002A	INST BOOK	1	ENG, FRE	C
	A 4	EWP503-001C	ANT.WIRE	1		
	A 5	QAL0204-001	AM LOOP ANT	1		
	A 6	YU20333	SAFETY INST.	1		
	A 7	BT-52004-1	WARRANTY CARD	1		C
	A 8	BT-20071B	JVC CENTER LIST	1		C
	A 9	BT-51020-2	REGISTER CARD	1		J